



Diamond Knife Catalog

About Diamatrix

Founded in 1993, Diamatrix helped usher in a new era of cataract surgery with its revolutionary Trapezoid diamond blade. Designed in conjunction with Clear Cornea pioneer, Dr. Charles H. Williamson, M.D. of the Williamson Eye Center in Baton Rouge, this patented blade design helped make Clear Cornea Cataract Surgery the most effective and efficient surgical procedure today. Diamatrix was also the first company to introduce and promote a care and cleaning procedure for diamond knives, helping facilities keep their investment working like new.

Today, Diamatrix is a leader in the drive to make Sharps Safe devices commonplace in the Ophthalmic OR. With our patented Sharps Safety handle, Diamatrix is leading the way in Sharps Safety Knives for the ophthalmic community.

Diamatrix offers the widest variety of incisional instrumentation in ophthalmology. Our blade materials include diamond, black diamond (CVD), sapphire and stainless steel and we offer disposable, multi-use and reusable options. Regardless of your needs, Diamatrix has a knife to suit you.

In addition to knives, Diamatrix also offers our ExactEtch™ brand ophthalmic sutures and our *Xpand*™ Iris Expansion System.

We maintain a rigorous quality management system to ensure you are using the best products available today. Our system is certified to FDA cGMP, ISO 13485:2003, CMDR (Canada), MDD93/42/EEC (EU) and JMDQMS Ordinance 169 (Japan) standards and we are constantly improving our processes.

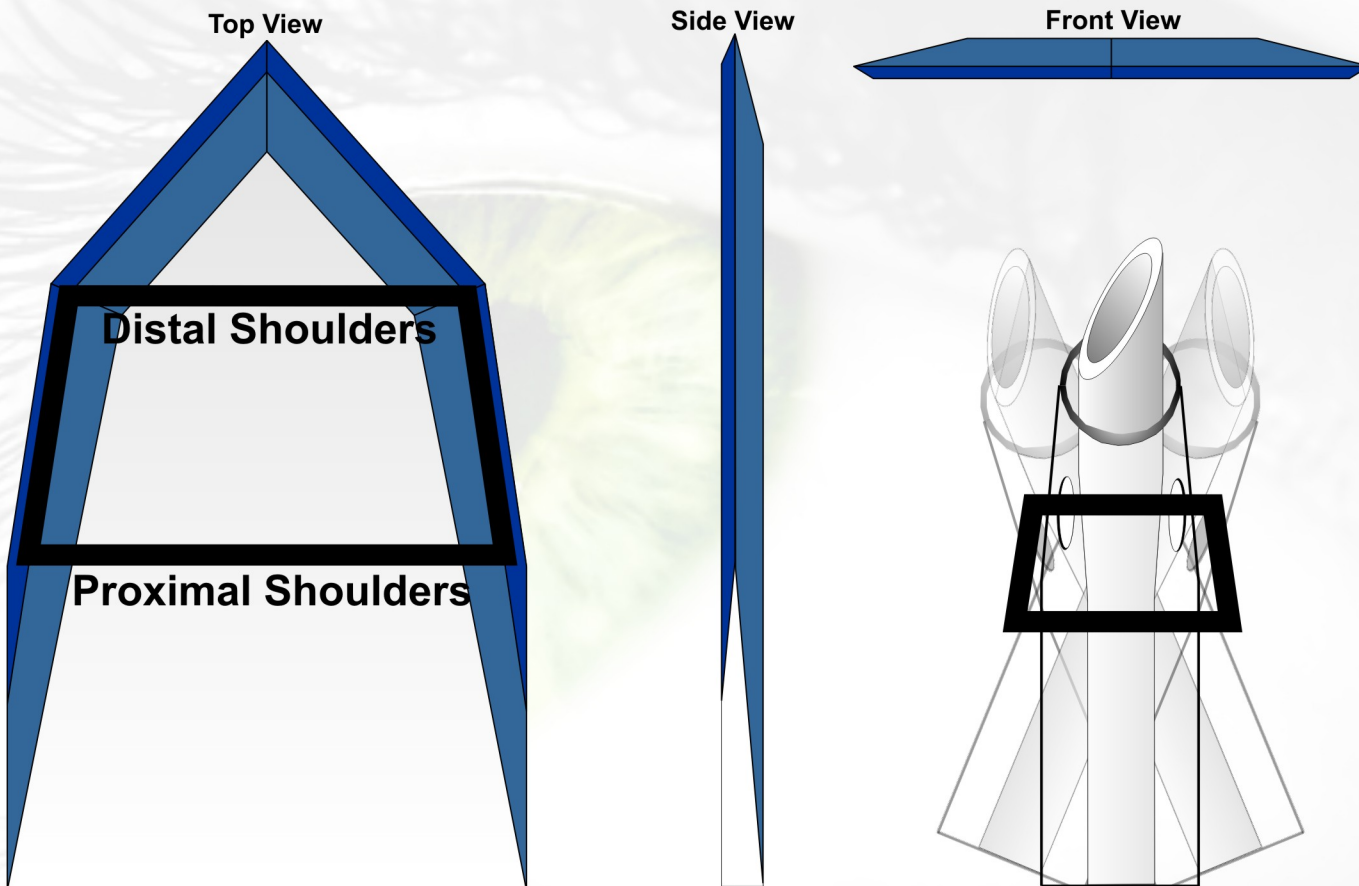
Thank you for taking a look at our Diamond Knife catalog and we look forward to working with you.



E-Series Design

Why the Diamatrix E-Series™ Trapezoid is Best

The Diamatrix E-Series™ Trapezoid design uses the latest technology to produce an eccentric, bevel-up configuration while retaining an ultra thin quality. The large sloping superior facets, combined with the smaller inferior facets, counter the geometric dome shape of the cornea, creating a more linear incision. This enables the surgeon to construct a self-planing, self-sealing incision that is less prone to leakage and stretching than conventional blade designs.



NO LEAKS

By combining the E-Series™ design with the Trapezoid design, we have achieved what we believe to be the best possible instrument for making a clear corneal incision. The distal shoulders create the proper incision size to accommodate micro-incision phaco tips. This prevents excessive leakage and shallowing of the anterior chamber during phaco.

INCREASED MANEUVERABILITY

The proximal shoulders create the trapezoid shape that produces an "oarlock" effect. This increases a surgeon's ability to maneuver instruments in the eye and reduces stria, thereby enhancing visualization.

TWO INCISIONS – ONE KNIFE

The E-Series™ Trapezoid shaped incision can be altered to a rectangular shape by reintroducing the blade into the incision and extending the proximal shoulders into the anterior chamber. This eliminates the need for a second diamond knife for enlarging for IOL injectors, if necessary.

THE PERFECT FIT FOR TAPERED INJECTORS

The E-Series™ Trapezoid shaped incision has a synergistic relationship with IOL injectors. The taper of an injector tip is parallel with the taper of the incision. This reduces stretching of the external incision thereby strengthening the integrity of the incision. This eliminates the surgeon's need to enlarge the incision to facilitate delivery of the IOL.

COST-EFFECTIVE

The E-Series™ Trapezoid design allows multiple re-sharpening without reducing the true dimensions of the blade. This makes it more cost effective when compared to a conventional side-sharp keratome.

NO ACCIDENTAL ENLARGEMENT

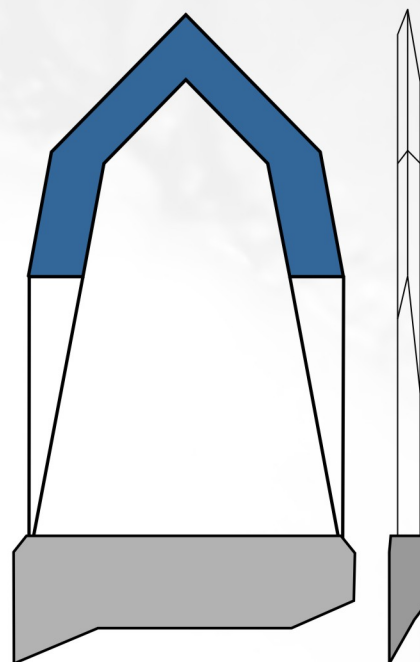
The E-Series™ Trapezoid design has superior and inferior bevels that taper off after the proximal shoulders. This creates a dull side, which prevents the surgeon from accidentally enlarging the wound upon entry and exit. This helps ensure an incision that will not leak during phacoemulsification.

E-Series Trapezoid Knives

Diamatrix helped usher in a new era of cataract surgery with its revolutionary Trapezoid diamond blade. Designed in conjunction with Clear Cornea pioneer, Dr. Charles H. Williamson, M.D. of the Williamson Eye Center in Baton Rouge, this unique and patented blade design helped make Clear Cornea the most effective and efficient surgical technique today.

Available in a wide range of sizes to fit any phaco/injector system and in three different handle options, our patented E-Series™ Trapezoid knives help you create the perfect incision for your cataract cases.

E-Series™ Trapezoid Item Numbers				
Blade Size	Handle Options			
	Straight	Angled	One Step	Four Step
1.2/1.5mm	N 03880	N 04880	-	N 05880
1.5/1.8mm	N 03885	N 04885	-	N 05885
1.9/2.2mm	N 03860	N 04860	-	N 05860
1.9/2.5mm	N 03870	N 04870	N 05870	-
2.4/2.7mm	N 03854	N 04854	N 05854	-
2.5/2.9mm	N 03850	N 04850	N 05850	-
2.7/3.0mm	N 03830	N 04830	N 05830	-
2.7/3.2mm	N 03820	N 04820	N 05820	-



Diamatrix Diamond Knives



Freehand Handle, 100% Titanium, Lifetime Warranty



Angled



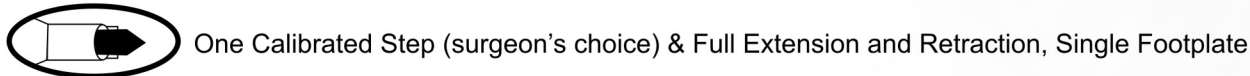
Straight



Stepped Handle, 100% Titanium, Lifetime Warranty



300, 500, 550 & 600 micron Calibrated Steps & Full Extension and Retraction, Single Footplate



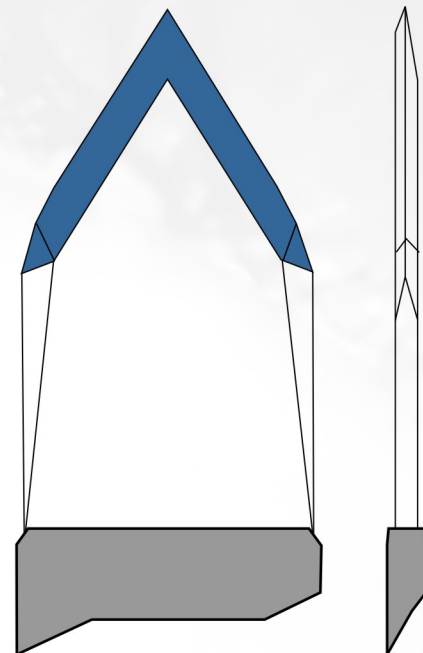
One Calibrated Step (surgeon's choice) & Full Extension and Retraction, Single Footplate

E-Series Shepherd MAC Knives

Designed in conjunction with Dr. John Shepherd, M.D. of Las Vegas, NV, this unique blade features parallel sides with open bevels to prevent accidental enlargement of the incision. In addition, its shoulders have sharp sides to allow for controlled incision enlargement if desired.

Available in a wide range of sizes to fit any phaco/injector system and in three different handle options, our patented E-Series™ Shepherd MAC knives help you create the perfect incision for your cataract cases.

E-Series™ Shepherd MAC Item Numbers				
Blade Size	Handle Options			
	Straight	Angled	One Step	Four Step
2.2mm	N 03500	N 04500	-	N 05500
2.4mm	N 03505	N 04505	-	N 05505
2.5mm	N 03510	N 04510	N 05510	-
2.65mm	N 03520	N 04520	N 05520	-
2.8mm	N 03570	N 04570	N 05570	-
3.0mm	N 03590	N 04590	N 05590	-
3.2mm	N 03560	N 04560	N 05560	-



Diamatrix Diamond Knives



Freehand Handle, 100% Titanium, Lifetime Warranty



Angled



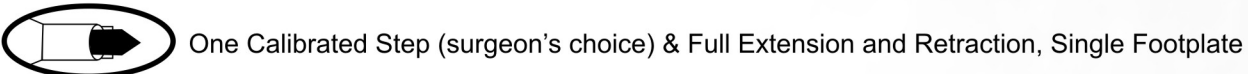
Straight



Stepped Handle, 100% Titanium, Lifetime Warranty



300, 500, 550 & 600 micron Calibrated Steps & Full Extension and Retraction, Single Footplate



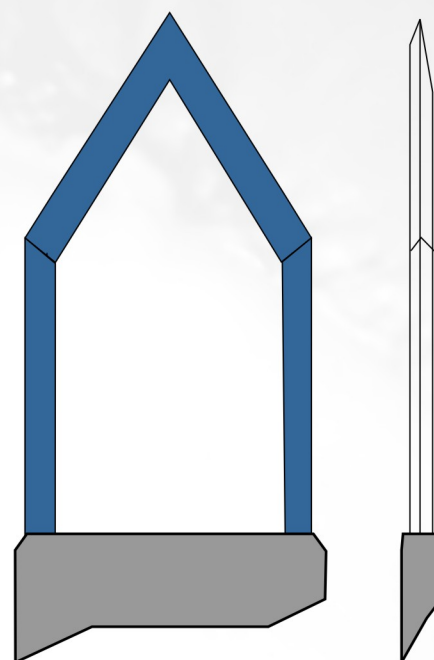
One Calibrated Step (surgeon's choice) & Full Extension and Retraction, Single Footplate

E-Series Clear Corneal Knives

Designed to meet the needs of today's cataract surgeons, our clear corneal knives feature parallel, sharp sides to allow for easy incision enlargement and a smooth entry.

Available in a wide range of sizes to fit any phaco/injector system and in three different handle options, our patented E-Series™ Clear Corneal knives help you create the perfect incision for your cataract cases.

E-Series™ Clear Corneal Item Numbers				
Blade Size	Handle Options			
	Straight	Angled	One Step	Four Step
2.2mm	N 03600	N 04600	-	N 05600
2.4mm	N 03605	N 04605	-	N 05605
2.5mm	N 03610	N 04610	N 05610	-
2.65mm	N 03620	N 04620	N 05620	-
2.8mm	N 03630	N 04630	N 05630	-
3.0mm	N 03640	N 04640	N 05640	-
3.2mm	N 03650	N 04650	N 05650	-



Diamatrix Diamond Knives



Freehand Handle, 100% Titanium, Lifetime Warranty



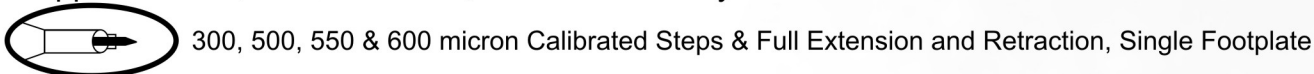
Angled



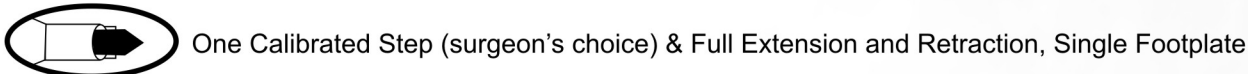
Straight



Stepped Handle, 100% Titanium, Lifetime Warranty



300, 500, 550 & 600 micron Calibrated Steps & Full Extension and Retraction, Single Footplate



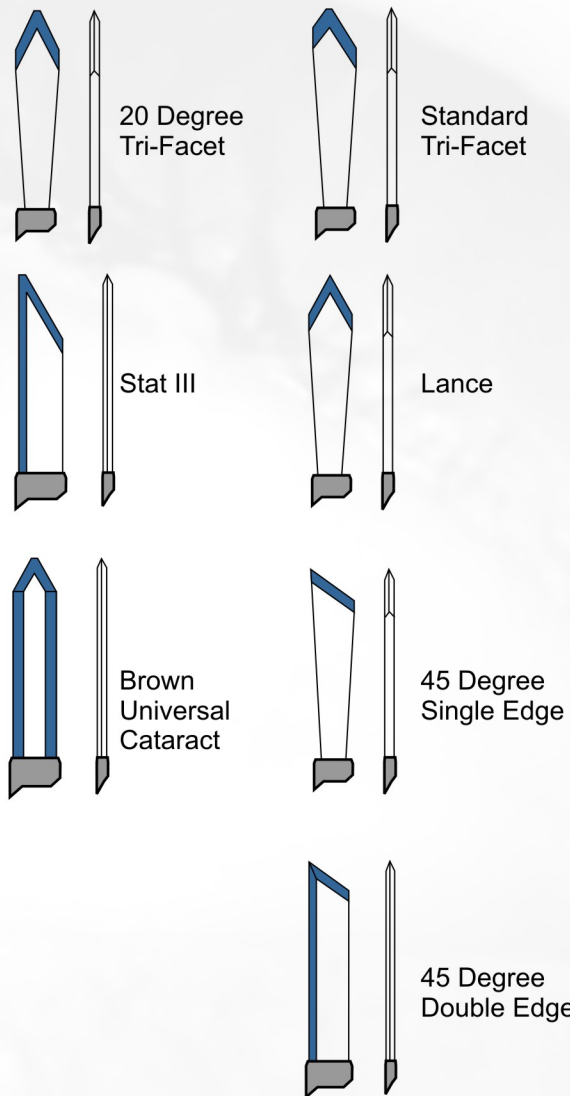
One Calibrated Step (surgeon's choice) & Full Extension and Retraction, Single Footplate

Economy Paracentesis Knives

Our economy paracentesis knives offer just what you're looking for - the benefits of a natural diamond blade for a very economical price. These paracentesis knives are available in a wide array of configurations & combinations. Whether you prefer dull sides, sharp sides, truncated tips or pointed tips, simply find the one that best suits your technique.

All blades are 1.0mm wide at the shoulders (except where noted), 3.0mm long and are available in either our economy stab or premium freehand handles.

Economy Paracentesis Knife Item Numbers			
Blade Type	Handle Options		
	Economy Stab	Freehand Straight	Freehand Angled
20* Tri-Facet	L 03420	N 03420E	N 04420E
20* Tri-Facet (1.3mm)	L 03423	-	-
Standard Tri-Facet	L 03410	-	-
Stat III	L 03430	-	-
Lance	L 03350	N 03350E	N 04350E
45* Single Edge	L 03421	N 03421E	N 04421E
45* Double Edge	L 03310	-	-
Brown Universal	L 03490	-	-
Brown Universal (1.2mm)	L 03495	-	-



Freehand Handle, 100% Titanium, Lifetime Warranty



Economy Stab Handle, Titanium & Aluminum Construction, 2 Year Warranty



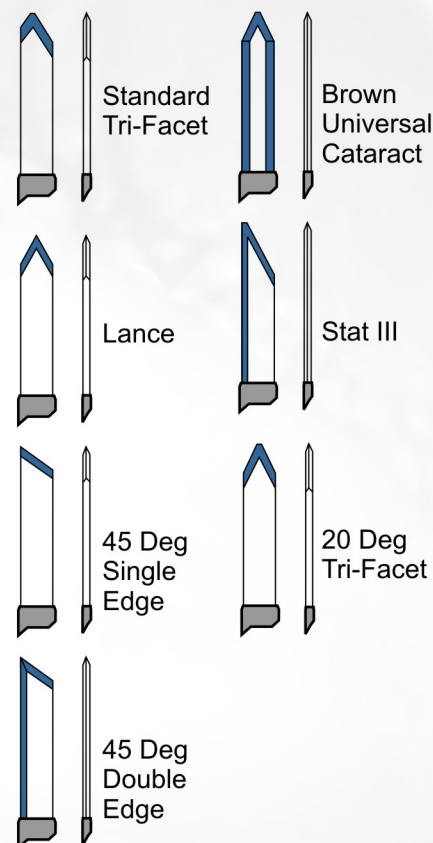
Premium Paracentesis Knives

Diamatrix premium paracentesis knives will be the most versatile knives in your surgery center. These knives are available in a wide array of configurations & combinations. Whether you prefer dull sides, sharp sides, truncated tips or pointed tips, simply find the one that best suits your technique.

All blades are 1.0mm wide from the shoulders to the base and 4.0mm long. Select blades are also available in 0.8mm and 1.2mm widths. Choose from any of our 100% titanium handle options: straight or angled freehand, single or double footplate stepped. With the stepped handle option, you can also perform grooves and LRIs.

Diamatrix Diamond Knives

Premium Paracentesis Knife Item Numbers				
Blade Type	Handle Options			
	Freehand Straight	Freehand Angled	Single Footplate Step	Double Footplate Step
20* Tri-Facet, 1.0mm	N 03420	N 04420	N 05420	N 05420E
20* Tri-Facet, 0.8mm	N 03425	N 04425	N 05425	N 05425E
20* Tri-Facet, 1.2mm	N 03415	N 04415	N 05415	N 05415E
Brown Universal, 1.0mm	N 03490	N 04490	N 05490	N 05490E
Brown Universal, 0.8mm	N 03491	N 04491	N 05491	N 05491E
Brown Universal, 1.2mm	N 03495	N 04495	N 05495	N 05495E
Stat III, 1.0mm	N 03430	N 04430	N 05430	N 05430E
Lance, 1.0mm	N 03350	N 04350	N 05350	N 05350E
45* Single Edge, 1.0mm	N 03421	N 04421	N 05421	N 05421E
45* Double Edge, 1.0mm	N 03310	N 04310	N 05310	N 05310E
Standard Tri-Facet, 1.0mm	N 03410	N 04410	N 05410	N 05410E



Freehand Handle, 100% Titanium, Lifetime Warranty

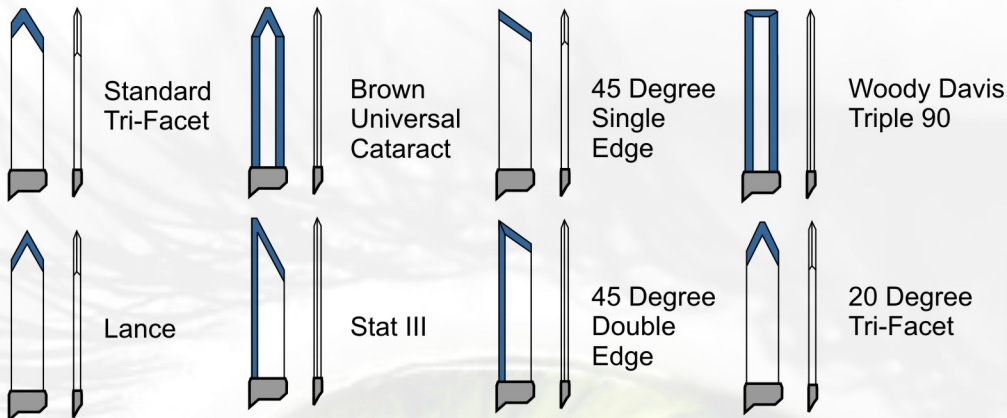


Stepped Handle, 100% Titanium, Lifetime Warranty



LRI & Groove Knives

Diamatrix offers a wide variety of knives for LRI and grooves. From pre-set economy knives with one depth setting to micrometer knives that offer essentially every depth setting, you are sure to find one that is right for your application. For knives with micrometer or stepped handles, all blades are 1.0mm wide.



LRI & Groove Knife Item Numbers				
Blade Type	Handle Options			
	Economy Fixed Depth	Micrometer	Single Footplate Step	Double Footplate Step
20* Tri-Facet	L 07420	N 01420	N 05420	N 05420E
Stat III	L 07430	N 01430	N 05430	N 05430E
Lance	L 07350	N 01350	N 05350	N 05350E
45* Double Edge	L 07310	N 01310	N 05310	N 05310E
Brown Universal	-	N 01490	N 05490	N 05490E
Woody Davis Triple 90	L 07910	N 01910	-	-
45* Single Edge	-	-	N 05421	N 05421E
Standard Tri-Facet	L 07410	N 01410	N 05410	N 05410E



Micrometer Handle, 100% Titanium, Double Footplate, Lifetime Warranty



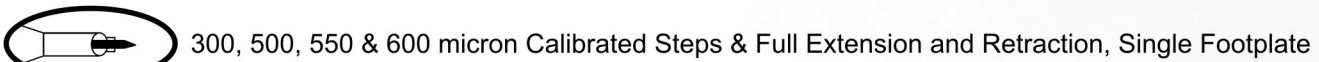
Economy Stab Handle, Titanium & Aluminum Construction, 2 Year Warranty



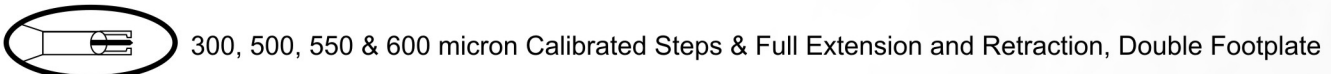
Pre-Set, Fixed Depth Calibrated Setting (surgeon's choice)



Stepped Handle, 100% Titanium, Lifetime Warranty



300, 500, 550 & 600 micron Calibrated Steps & Full Extension and Retraction, Single Footplate



300, 500, 550 & 600 micron Calibrated Steps & Full Extension and Retraction, Double Footplate

Specialty Diamond Knives

Diamatrix offers specialty blades for scleral, primary paracentesis and bi-manual incisions.

Diamatrix Diamond Knives

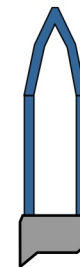
Specialty Knife Item Numbers			
Blade Type	Handle Options		
	Single Footplate Step	Freehand Straight	Freehand Angled
Crescent, 1.0mm	-	-	N 04581
Crescent, 1.5mm	-	-	N 04580
Crescent, 2.0mm	-	-	N 04585
Triamond, 1.2mm	N 05440	N 03440	N 04440
Triamond, 2.0mm	N 05450	N 03450	N 04450
Tapered Brown Universal, 1.0/1.3mm	-	-	N 04485



Crescent Tunnel



Triamond



Tapered Brown Universal Cataract



Freehand Handle, 100% Titanium, Lifetime Warranty



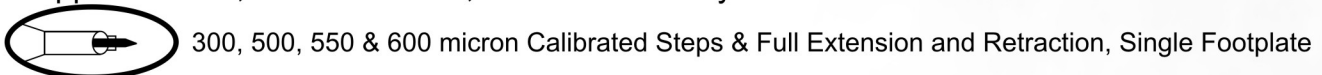
Angled



Straight



Stepped Handle, 100% Titanium, Lifetime Warranty



300, 500, 550 & 600 micron Calibrated Steps & Full Extension and Retraction, Single Footplate

Cleaning Equipment

DUL 50 - *DiaClean* Diamond Knife Cleaning System

Diamatrix recommends the *DiaClean*[™] Diamond Knife Cleaning System for cleaning your diamond knives immediately after the surgical procedure. It is proven to be an efficient and safe method for cleaning surgical debris from the surfaces of diamond knives and other delicate instruments prior to sterilization. Utilizing a proprietary foam-like material, impregnated with a proprietary cleaning detergent that loosens proteins and other deposits, along with USP-grade filtered rinse water, your knives can be safely cleaned without scratching, dulling, chipping or breaking if handled properly.

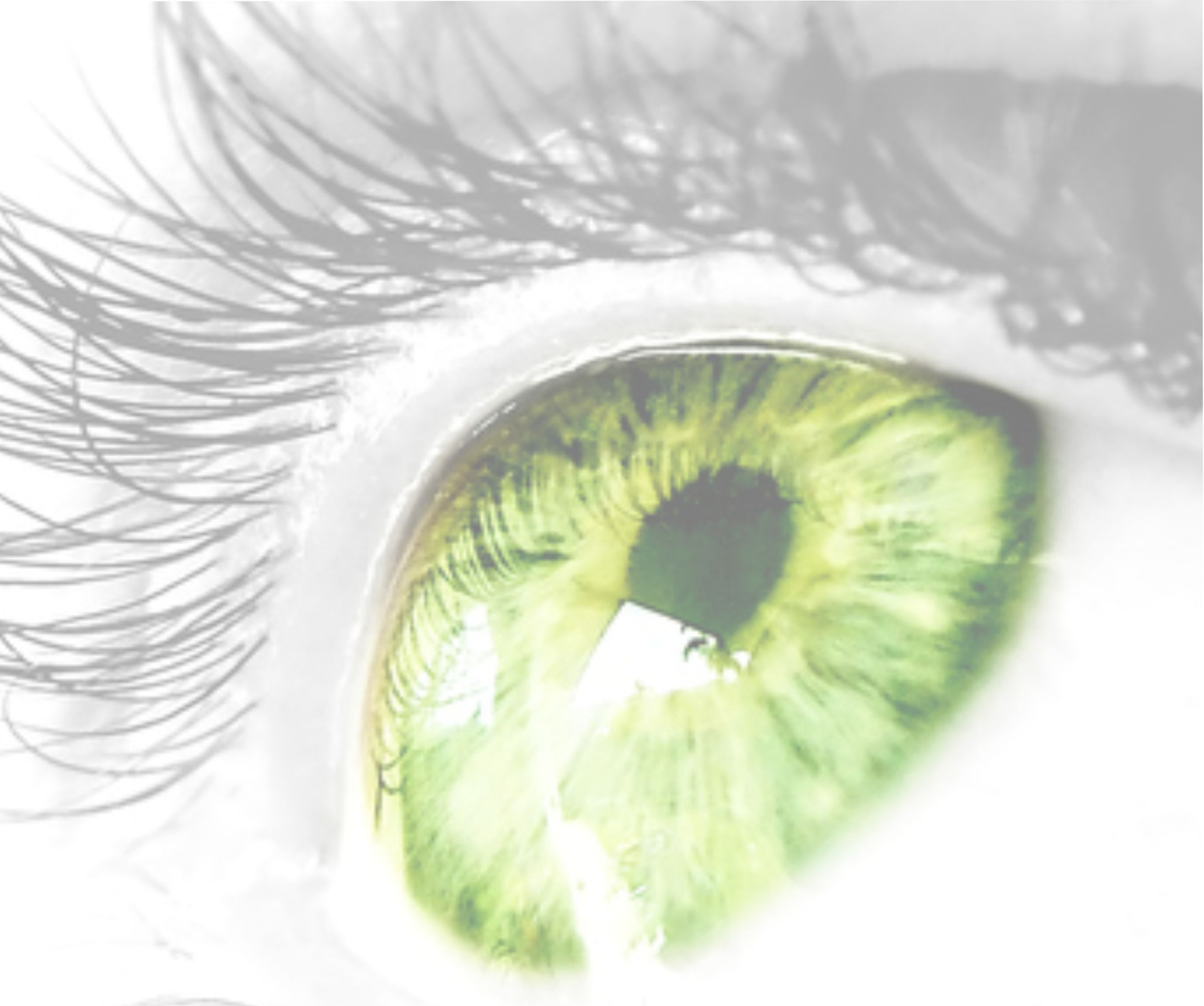
Maintenance Equipment

6100A - Sterilization Tray with Silicone Mat, 6"W x 12"L x .75"H

D062512 - Sterilization Tray, 2.5"W x 6"L x .75"H

Choose from Silicone Mat, 2-Slot Silicone Bar or 3-Slot Silicone Bar

Other Sterilization Tray Sizes and Configurations Available. Call for a complete listing.



www.diamatrix.com info@diamatrix.com
(US) 800.867.8081 (T) 281.367.8081 (F) 281.292.5481



210 Nursery Road, The Woodlands, TX 77380 USA
© 2016 Diamatrix Ltd All Rights Reserved

